

Product of the U.S.A. Us and foreign patents issued and pending.

Fluid path of needle and extension set is sterile, non-pyrogenic, non-DEHP, and not made with natural rubber latex.

STERILE (S) Rx only (R) MD (M) LK (L) (N) (N)

REF 9001P

CE 2797

Manufactured for:  
Teleflex Medical  
IDA Business & Technology Park,  
Dublin Rd, Athlone,  
Co. Westmeath, Ireland  
ArrowEZIO.com  
Ph: 1.866.479.8500

Needle + Stabilizer Kit

INTRAOSSUEOUS VASCULAR ACCESS

25 mm 15 ga  
3 kg or over

# ARROW® EZ-IO®

INTRAOSSUEOUS VASCULAR ACCESS

Needle + Stabilizer Kit

**GERMAN**  
BESCHREIBUNG:  
EZ-IO® INTRAOSSEÄRES  
GEFÄSSZUGANGSSYSTEM  
Der Flüssigkeitspfad des Nadelsets und  
der Anschlussleitung ist steril, nicht  
pyrogen sowie DEHP- und naturlatexfrei.

**DUTCH**  
BESCHRIJVING:  
EZ-IO® INTRAOSSEALE  
VAATTOEGANG  
Vloeistofpad van naald en verlengset  
is steriel, pyrogeenvrij, bevat geen  
DEHP en is niet vervaardigd met  
natuurrubberlatex.

**FRENCH**  
DESCRIPTION:  
ACCÈS VASCULAIRE  
INTRA-OSSEUX EZ-IO®  
Le circuit du liquide de l'aiguille et de  
l'extension est stérile, non pyrogène et  
exempt de DEHP et n'est pas fabriqué à  
partir de latex de caoutchouc naturel.

**ITALIAN**  
DESCRIZIONE:  
ACCESSO VASCOLARE  
INTRAOSSUEO EZ-IO®  
Il percorso di fluidi dell'ago e del set di  
prolunga è sterile, non pirogeno, non  
contiene DEHP e non è stato realizzato  
con lattice di gomma naturale.  
8774A Rev 00

**RUSSIAN**  
ОПИСАНИЕ:  
ВНУТРИКОСТНЫЙ СОСУДИСТЫЙ  
ДОСТУП EZ-IO®  
Канал для жидкости иглы и удлинителя  
является стерильным, апиrogenным, не  
содержит ДЭГФ и натуральный латекс.

**GREEK**  
ΠΕΡΙΓΡΑΦΗ:  
ΕΝΔΟΣΤΙΚΗ ΑΓΓΕΙΑΚΗ  
ΠΡΟΣΠΕΛΑΣΗ EZ-IO®  
Η διαδρομή υγρού της βελόνας  
και του σετ επέκτασης είναι  
ασπυρογενής, μη πυρογενής,  
χωρίς DEHP και δεν κατασκευάζεται  
με λάτεξ από φυσικό καουτσούκ.

**PORTUGUESE**  
DESCRIÇÃO:  
ACCESSO VASCULAR INTRA-ÓSSEO  
EZ-IO®  
O circuito do fluido da agulha e o  
conjunto de extensão são esterilizados,  
apirogénicos, sem DEHP, e não  
fabricados em látex de borracha natural.

**SPANISH**  
DESCRIPCIÓN:  
ACCESO VASCULAR  
INTRAOSEO EZ-IO®  
La vía de fluido del set de aguja y del  
set prolongador es una vía estéril, no  
pirogénica, que no contiene DEHP y  
que no está fabricada en látex de  
caucho natural EZ-IO®.

25 mm 15 ga  
3 kg or over

# ARROW® EZ-IO®

INTRAOSSUEOUS VASCULAR ACCESS

Needle + Stabilizer Kit

REF 9001P

CONTENTS	QTY
EZ-IO® 25 mm 15 ga Intraosseous Needle Set	5
EZ-Stabilizer™ Dressing	5
EZ-Connect® Extension Set (Priming Volume – Approx. 1.0 ml)	5
EZ-IO® Wristband	5
NeedleWISE® 1-Port Sharps Block	5
Instructions for Use	1

NSN: 6515-01-647-1590

ArrowEZIO.com

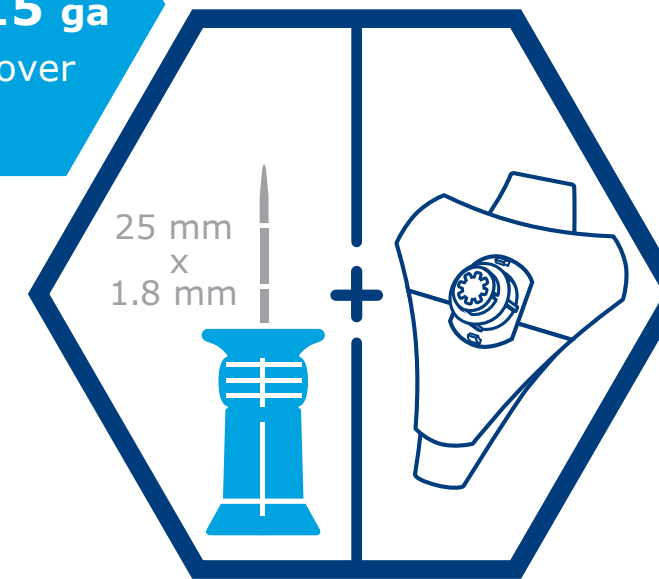
# ARROW® EZ-IO®

INTRAOSSUEOUS VASCULAR ACCESS

Needle + Stabilizer Kit

REF 9001P

25 mm 15 ga  
3 kg or over



Teleflex®

Teleflex®

Teleflex®

25 mm 15 ga  
3 kg or over

# ARROW® EZ-IO®

INTRAOSSUEOUS VASCULAR ACCESS

Needle + Stabilizer Kit

REF 9001P