

Product of the U.S.A. US and foreign patents issued and pending.

Fluid path of needle and extension set is sterile, non-pyrogenic, non-DEHP, and not made with natural rubber latex.



REF 9079P

0086

Manufactured for:
Teleflex Medical
1DA Business & Technology Park,
Dublin Rd, Athlone,
Co. Westmeath, Ireland
ArrowEZIO.com
Ph: 1.866.479.8500

Needle + Stabilizer Kit

ARROW® EZ-IO®
INTRAOSSUEOUS VASCULAR ACCESS
45 mm 15 ga
40 kg or over

ARROW® EZ-IO®

INTRAOSSUEOUS VASCULAR ACCESS

Needle + Stabilizer Kit

GERMAN
BESCHREIBUNG:
EZ-IO® INTRAOSSEÄRES
GEFÄSSZUGANGSSYSTEM
Der Flüssigkeitspfad des Nadelsets und
der Anschlussleitung ist steril, nicht
pyrogen sowie DEHP- und naturlatexfrei.

DUTCH
BESCHRIJVING:
EZ-IO® INTRAOSSEALE
VAATTOEGANG
Vloeistofpad van naald en verlengset
is steriel, pyrogeenvrij, bevat geen
DEHP en is niet vervaardigd met
natuurrubberlatex.

FRENCH
DESCRIPTION:
ACCÈS VASCULAIRE
INTRA-OSSEUX EZ-IO®
Le circuit du liquide de l'aiguille et de
l'extension est stérile, non pyrogène et
exempt de DEHP et n'est pas fabriqué à
partir de latex de caoutchouc naturel.

ITALIAN
DESCRIZIONE:
ACCESSO VASCOLARE
INTRAOSSEO EZ-IO®
Il percorso di fluidi dell'ago e del set di
prolunga è sterile, non pirogeno, non
contiene DEHP e non è stato realizzato
con lattice di gomma naturale.
8775 Rev 02

RUSSIAN
ОПИСАНИЕ:
ВНУТРИКОСТНЫЙ СОСУДИСТЫЙ
ДОСТУП EZ-IO®
Канал для жидкости иглы и удлинителя
является стерильным, апиrogenным, не
содержит ДЭГФ и натуральный латекс.

GREEK
ΠΕΡΙΓΡΑΦΗ:
ΕΝΔΟΣΤΙΚΗ ΑΓΓΕΙΑΚΗ
ΠΡΟΣΠΕΛΑΣΗ EZ-IO®
Η διαδρομή υγρού της βελόνας
και του σετ επέκτασης είναι
ασπυρογενής, μη πυρογενής,
χωρίς DEHP και δεν κατασκευάζεται
με λάτεξ από φυσικό καουτσούκ.

PORTUGUESE
DESCRIÇÃO:
ACCESSO VASCULAR INTRA-ÓSSEO
EZ-IO®
O circuito do fluido da agulha e o
conjunto de extensão são esterilizados,
apirogénicos, sem DEHP, e não
fabricados em látex de borracha natural.

SPANISH
DESCRIPCIÓN:
ACCESO VASCULAR
INTRAÓSEO EZ-IO®
La vía de fluido del set de aguja y del
set prolongador es una vía estéril, no
pirogénica, que no contiene DEHP y
que no está fabricada en látex de
caucho natural EZ-IO®.

45 mm 15 ga
40 kg or over

ARROW® EZ-IO®

INTRAOSSUEOUS VASCULAR ACCESS

Needle + Stabilizer Kit

REF 9079P

CONTENTS	QTY
EZ-IO® 45 mm 15 ga Intraosseous Needle Set	5
EZ-Stabilizer™ Dressing	5
EZ-Connect® Extension Set (Priming Volume – Approx. 1.0 ml)	5
EZ-IO® Wristband	5
NeedleWISE® 1-Port Sharps Block	5
Instructions for Use	1

ArrowEZIO.com

Teleflex®

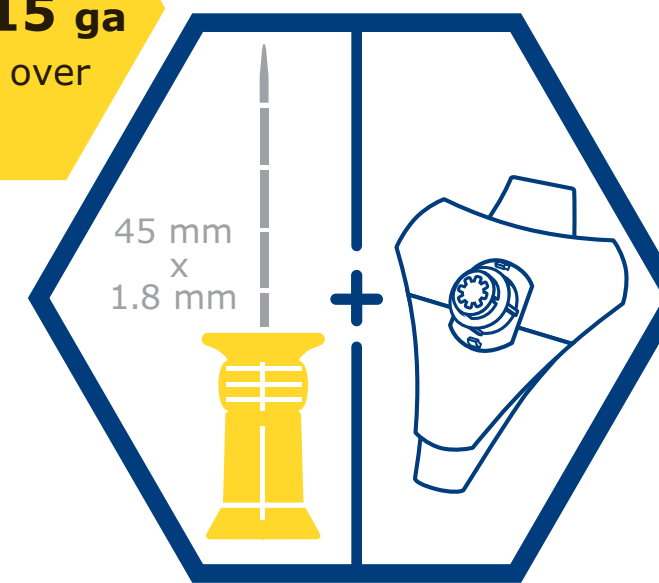
ARROW® EZ-IO®

INTRAOSSUEOUS VASCULAR ACCESS

Needle + Stabilizer Kit

REF 9079P

45 mm 15 ga
40 kg or over



Teleflex®

Teleflex®

45 mm 15 ga
40 kg or over

ARROW® EZ-IO®

INTRAOSSUEOUS VASCULAR ACCESS

Needle + Stabilizer Kit

REF 9079P