

REF PI-01552-LS

Latex-Free

PICC Seldinger Conversion Set

for use with Arrow® 5 Fr. PICC

ARROW®

Contents:

- One: Sheath: 14 Ga. x 2-3/4" (7 cm) Radiopaque Peel-Away over 5 Fr. Dilator
- One: Spring-Wire Guide: .018" (.46 mm) dia. x 13-1/8" (33 cm) (Straight Soft Tip on Both Ends)
- One: Catheter: 22 Ga. x 1-3/4" (4.45 cm) Radiopaque over 25 Ga. RW Introducer Needle
- One: Introducer Needle: 21 Ga. x 1-1/2" (3.81 cm) TW
- One: Introducer Needle: 21 Ga. x 2-3/4" (7 cm) TW with Echogenic Tip

Rx only.

Warning: Prior to use read all package insert warnings, precautions, and instructions. Failure to do so may result in severe patient injury or death.

Sterile. Do not use if package has been previously opened or damaged. Fluid path components are non-pyrogenic. Contains no medication. Single use — do not resterilize. Sterilized by ethylene oxide.

This product contains **NO** natural rubber latex.



Arrow International, Inc.
2400 Bernville Road, Reading, PA 19605 USA



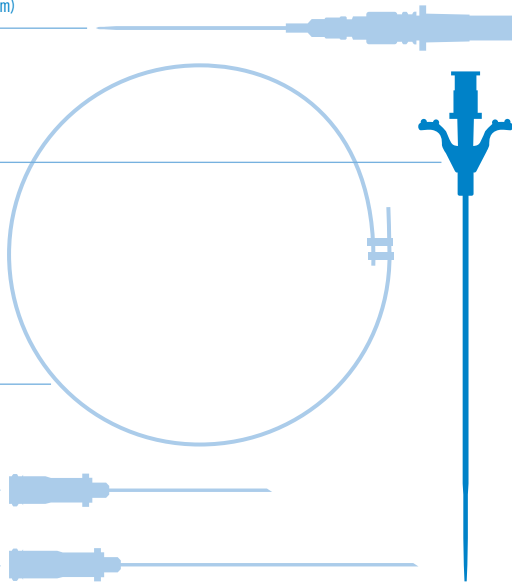
22 Ga. x 1-3/4" (4.45 cm)
Catheter Assembly

14 Ga. x 2-3/4" (7 cm)
Peel-Away Sheath
over 5 Fr. Dilator

.018" (.46 mm) dia.
x 13-1/8" (33 cm)
Spring-Wire Guide

21 Ga. x 1-1/2"
(3.81 cm) TW
Introducer Needle

21 Ga. x 2-3/4" (7 cm)
TW Introducer Needle
with Echogenic Tip



1101552-102C (4/16)

REF
PI-01552-LS

for use
with Arrow **5** Fr.
PICC

.018 inch dia.
spring-wire
guide

PICC Seldinger Conversion Set

Peel to
Open
LATEX-FREE